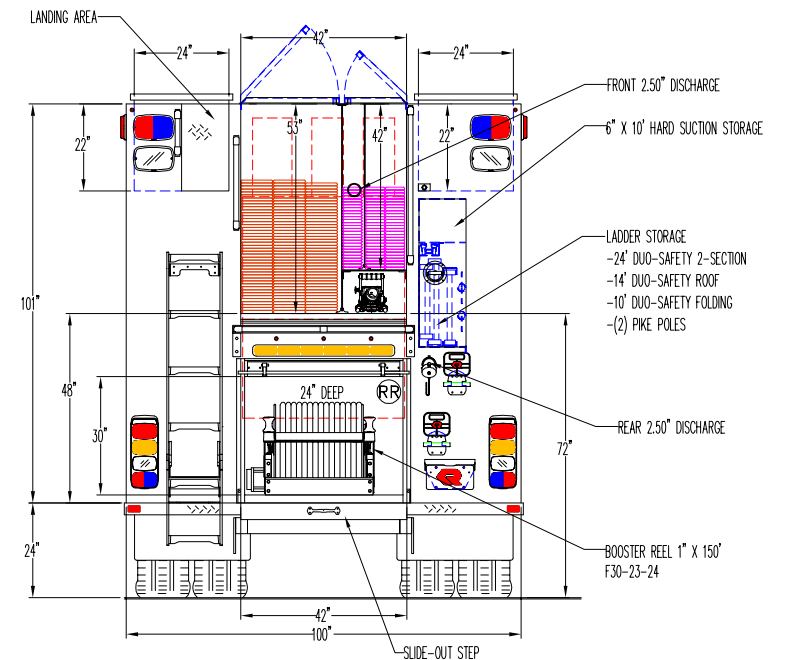
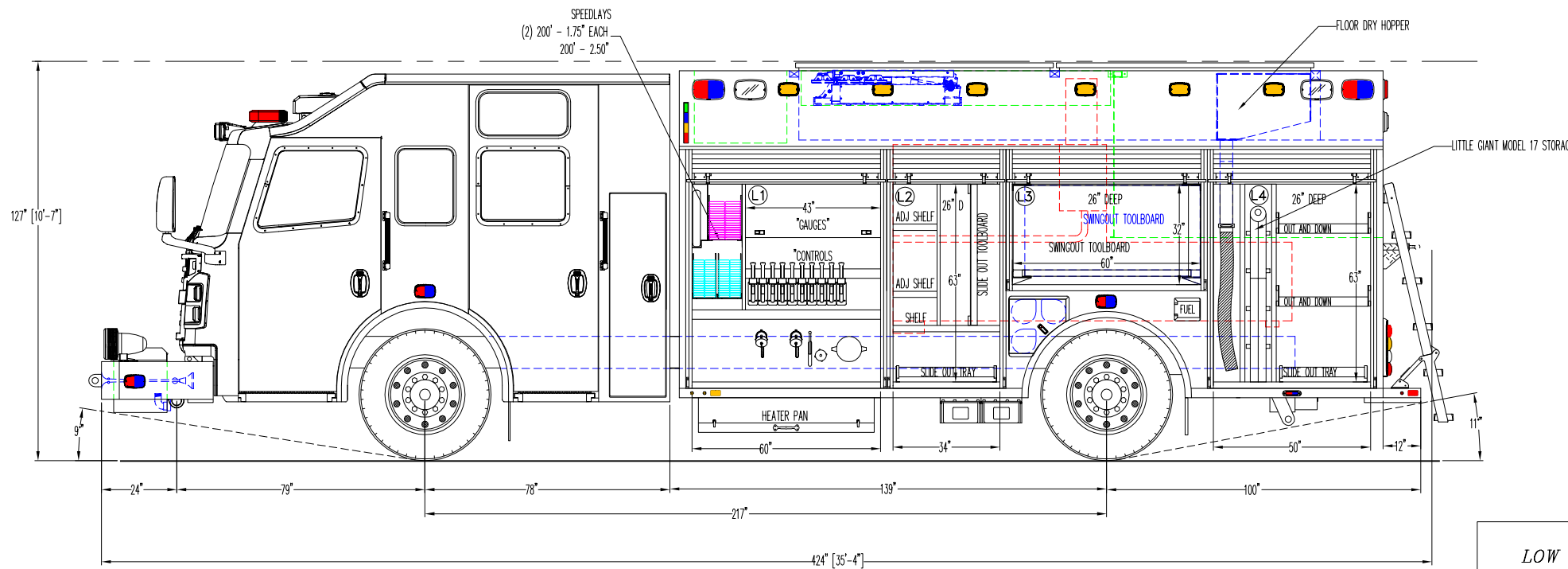
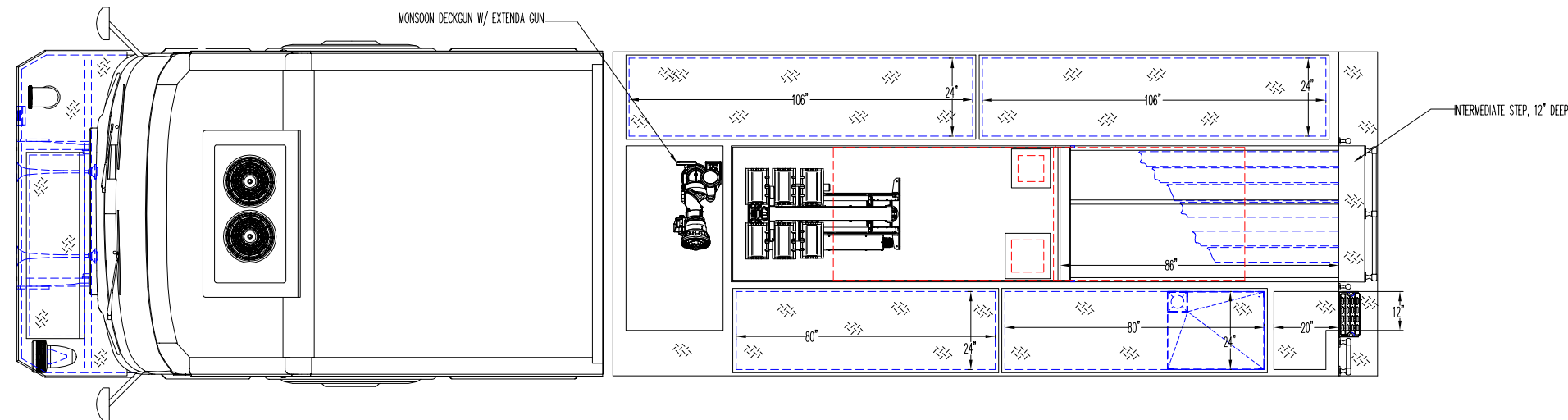


| COMPARTMENT DIMENSIONS | | | | |
|------------------------|-------|--------|-------|----------------------|
| LOCATION | WIDTH | HEIGHT | DEPTH | VOLUME IN CUBIC FEET |
| L1 | 60 | 63 | 12 | 26.3 |
| L2 | 34 | 63 | 26 | 32.2 |
| L3 | 60 | 32 | 26 | 28.9 |
| L4 | 50 | 63 | 26 | 47.4 |
| R1 | 60 | 63 | 26 | 56.9 |
| R2L | 34 | 28 | 12 | 6.6 |
| R2U | 34 | 35 | 26 | 17.9 |
| R3 | 60 | 32 | 12 | 13.3 |
| R4L | 50 | 28 | 26 | 21.1 |
| R4U | 50 | 35 | 12 | 12.2 |
| RR | 42 | 30 | 24 | 17.5 |
| | | | | 280.2060 |

MAIN HOSEBED CAPACITY: LEFT TO RIGHT
 - 1000' - 5"
 - 200' - 2.5" WITH BLITZFIRE
 - 400' - 2.5"



LOW PROFILE SUSPENSION

PLATTEVILLE - GILCREST

- NOTES:
- OVERALL HEIGHT IS IN LOADED CONDITION. UNLOADED HEIGHTS MAY BE 4" ABOVE HEIGHTS SHOWN.
 - DO NOT SCALE DRAWING.
 - ALL DIMENSIONS ARE APPROXIMATE AND SUBJECT TO ENGINEERING CHANGES.
 - DRAWING MAY OR MAY NOT SHOW ALL ITEMS AS DESCRIBED IN THE WRITTEN DETAIL SPECIFICATIONS.
 - INCLUSION OF AN ITEM ON THE DRAWING DOES NOT CONSTITUTE INCLUSION OF THAT ITEM WITH THE FINAL DELIVERED UNIT.

REVISD: -- DATE: --
 REVISD: -- DATE: --
 REVISD: TAA DATE: 11-21-2023 (R-02)
 DRAWN: ATG DATE: 08-29-2023 (P6083-04)

PROPRIETARY AND CONFIDENTIAL
 THE INFORMATION CONTAINED IN THIS DRAWING IS
 THE SOLE PROPERTY OF ROSENBAUER. ANY
 REPRODUCTION IN PART OR AS A WHOLE WITHOUT
 THE WRITTEN PERMISSION OF ROSENBAUER IS
 PROHIBITED.

APPROVED BY:

MAXIMUM HEIGHT N/A
 MAXIMUM LENGTH N/A
 BODY WIDTH 100"

CHASSIS: COMMANDER R7818
 PUMP: HALE DSD 1500 GPM
 TANK: POLY 800/30(FOAM)
 TYPE: PUMPER
 AERIAL: N/A



ROSENBAUER EXT

JOB NUMBER 15899 DRAWING NUMBER D00172 REV 02